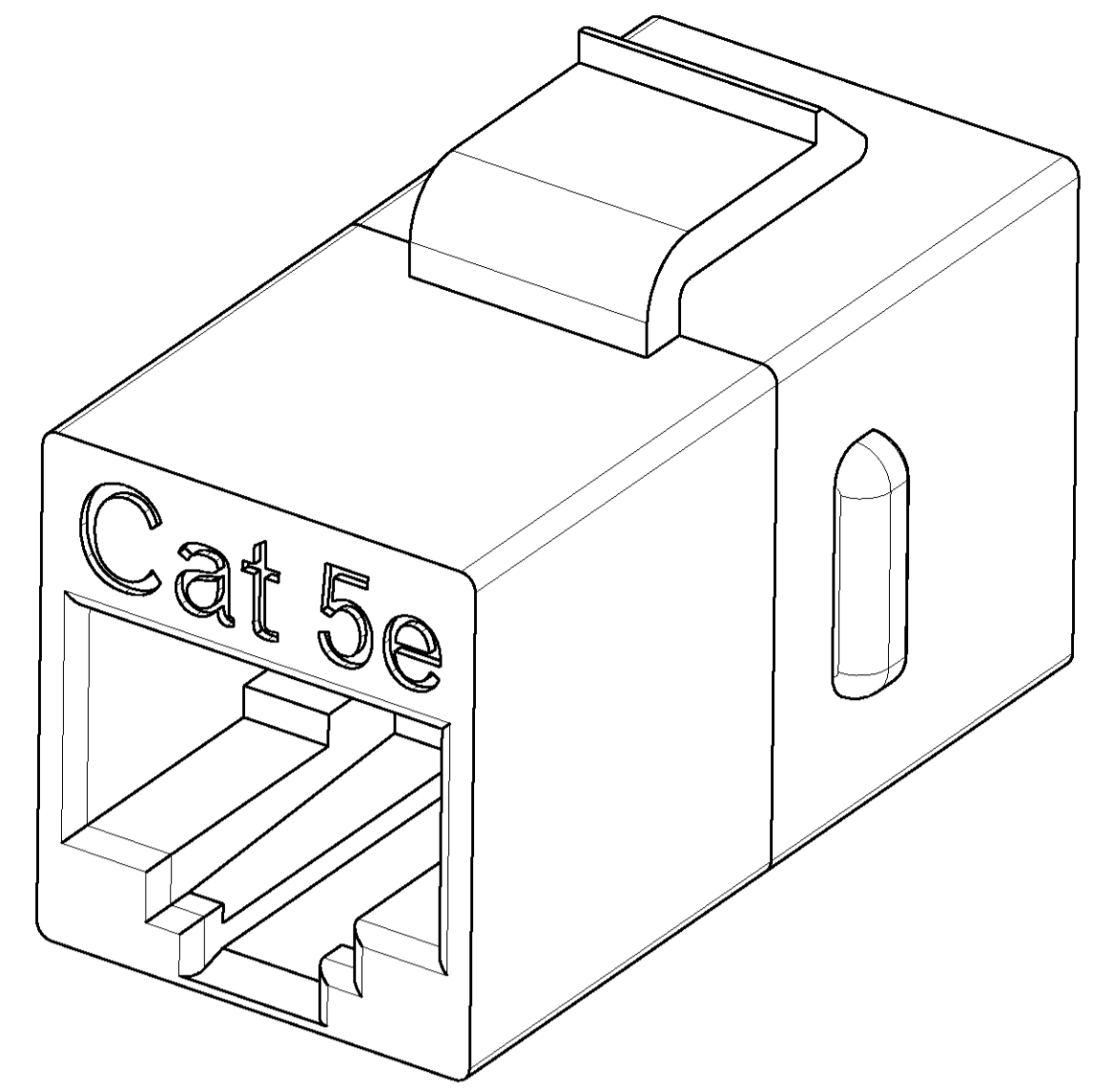
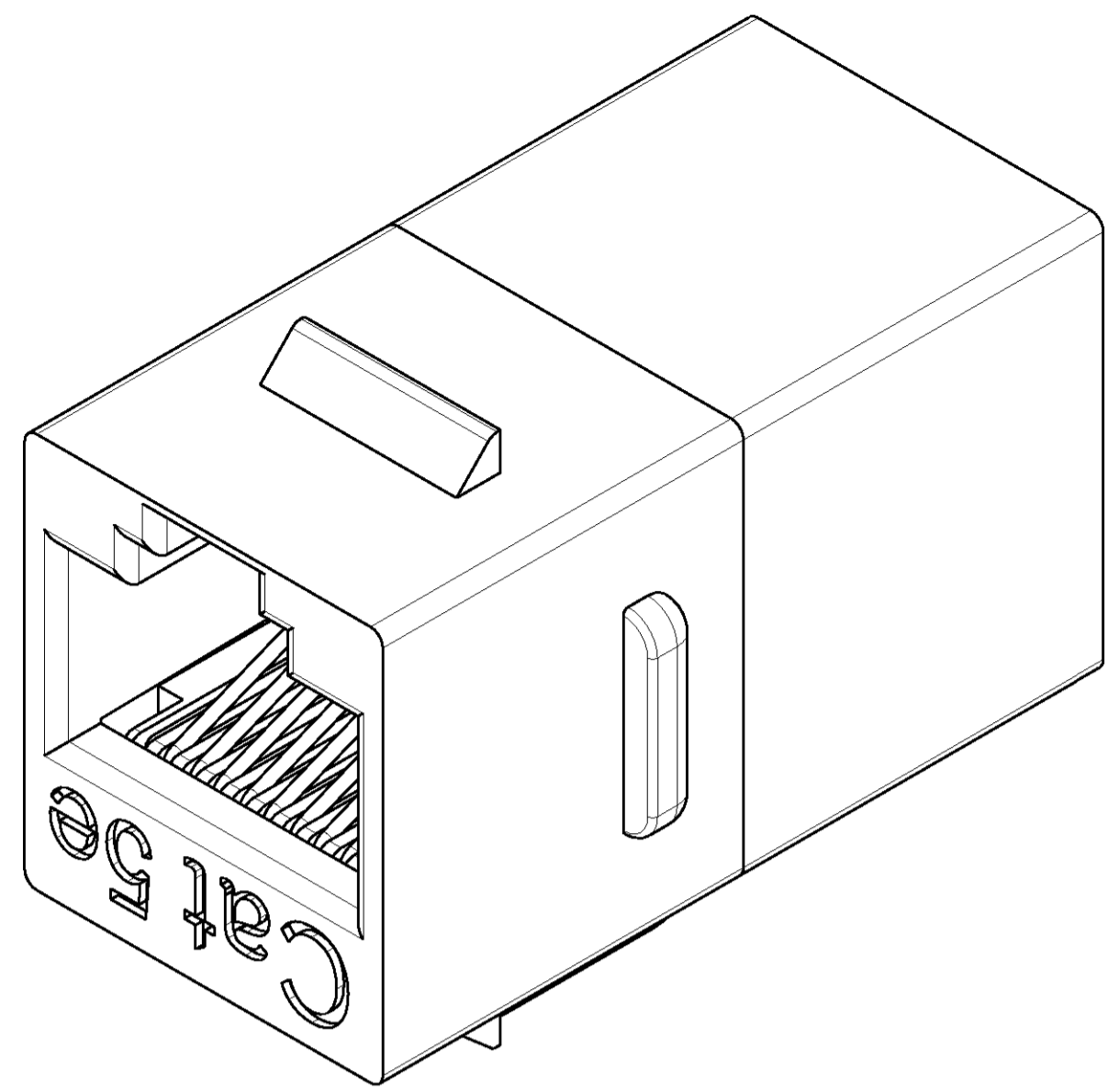


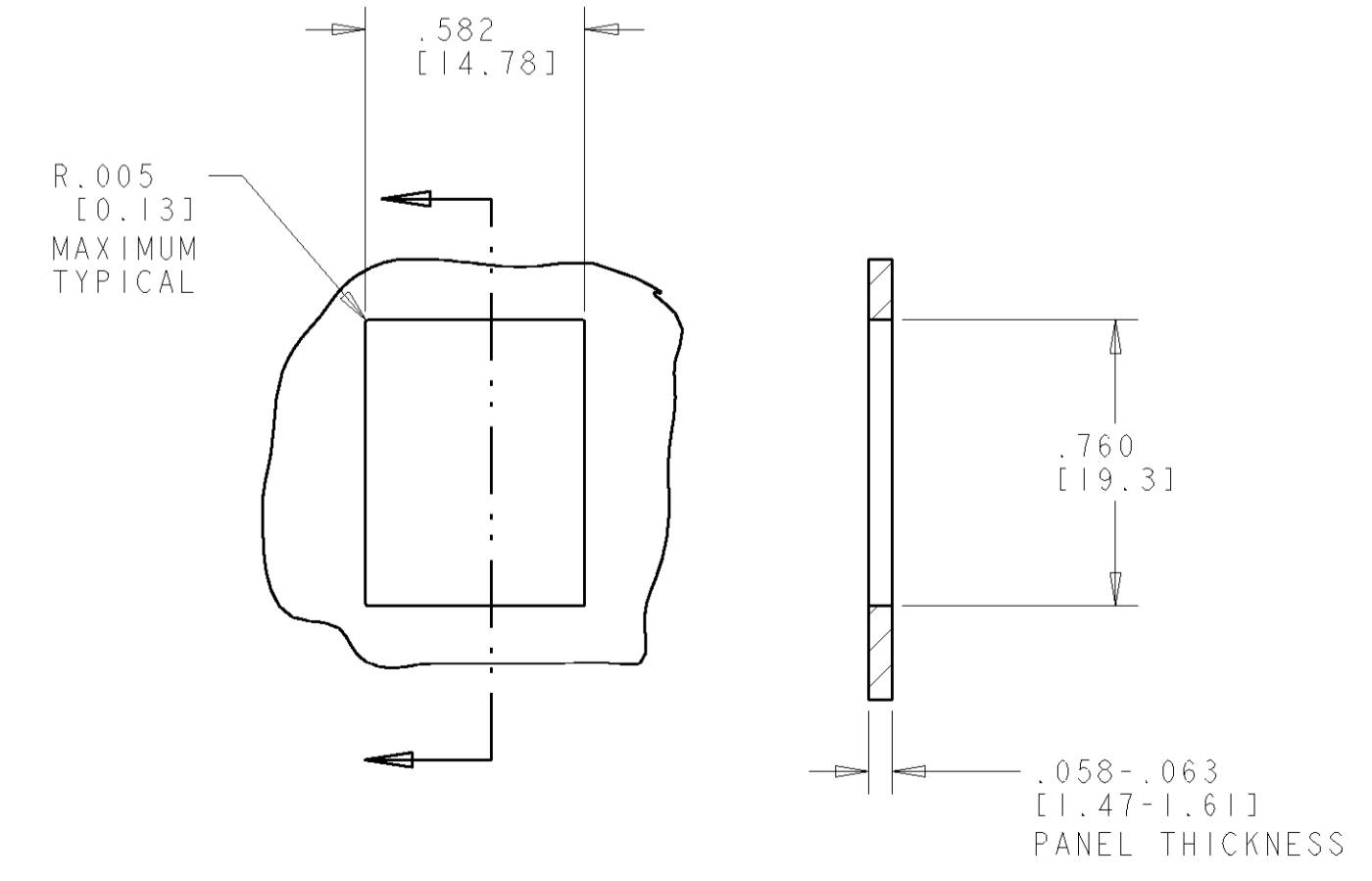
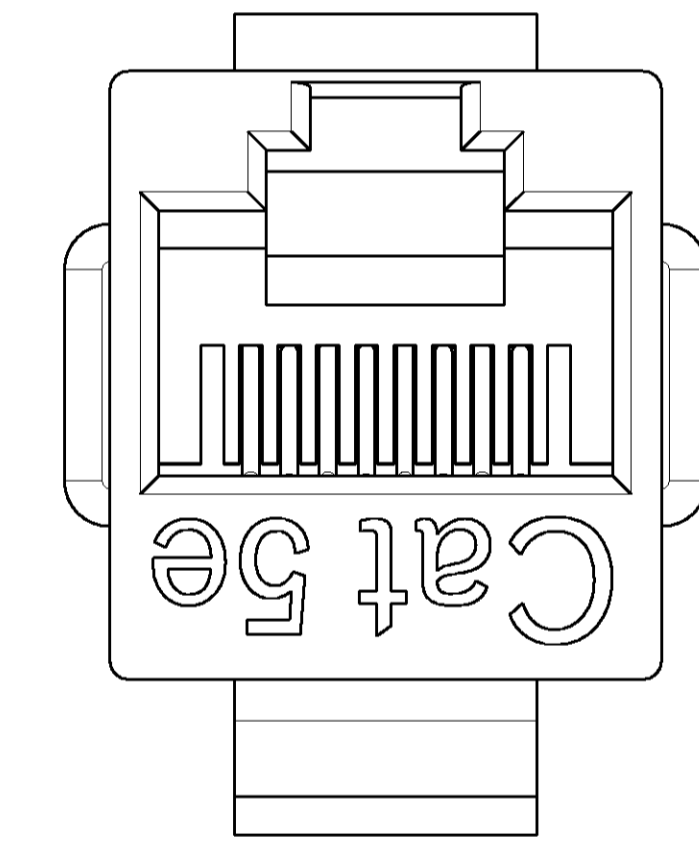
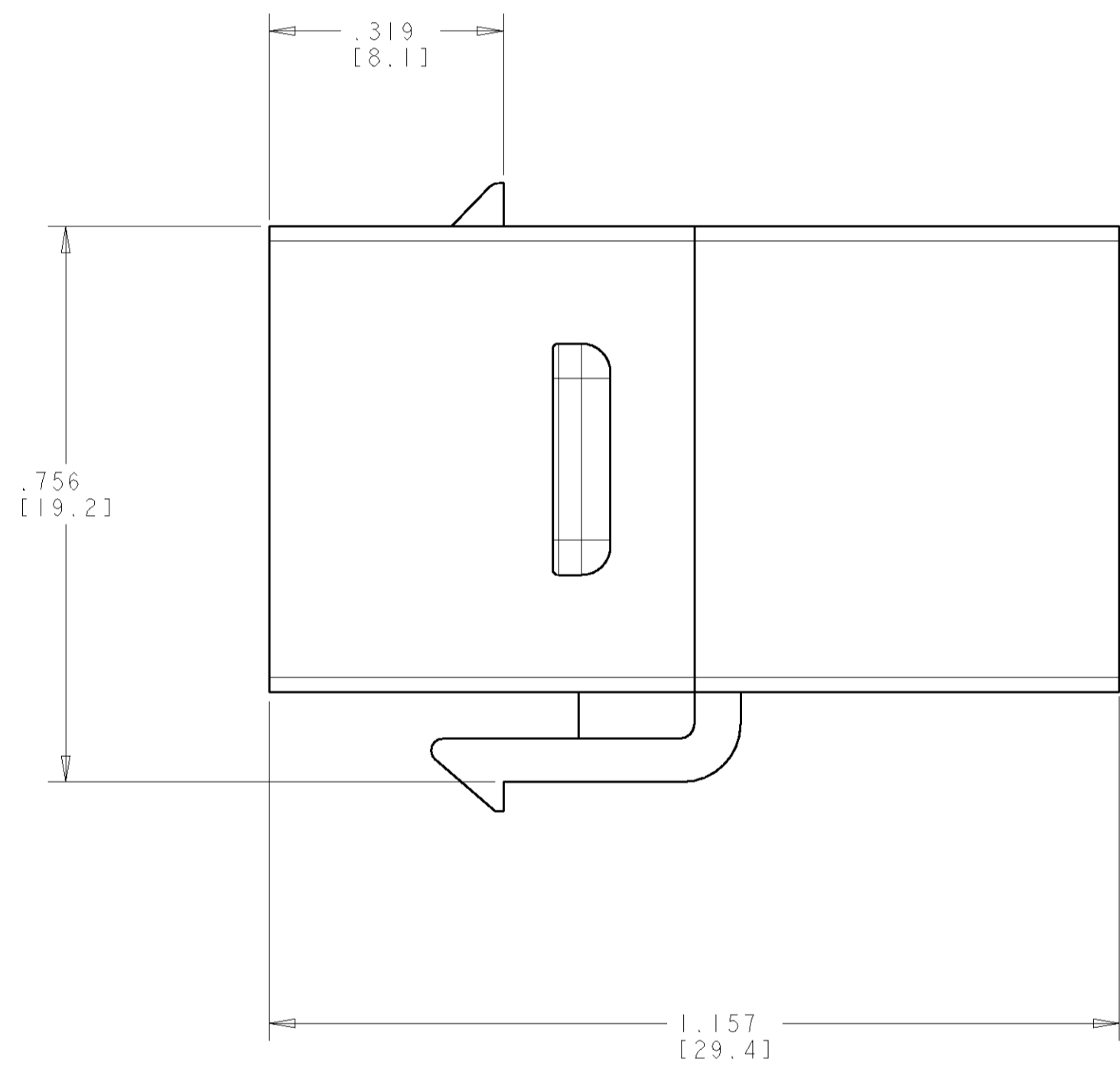
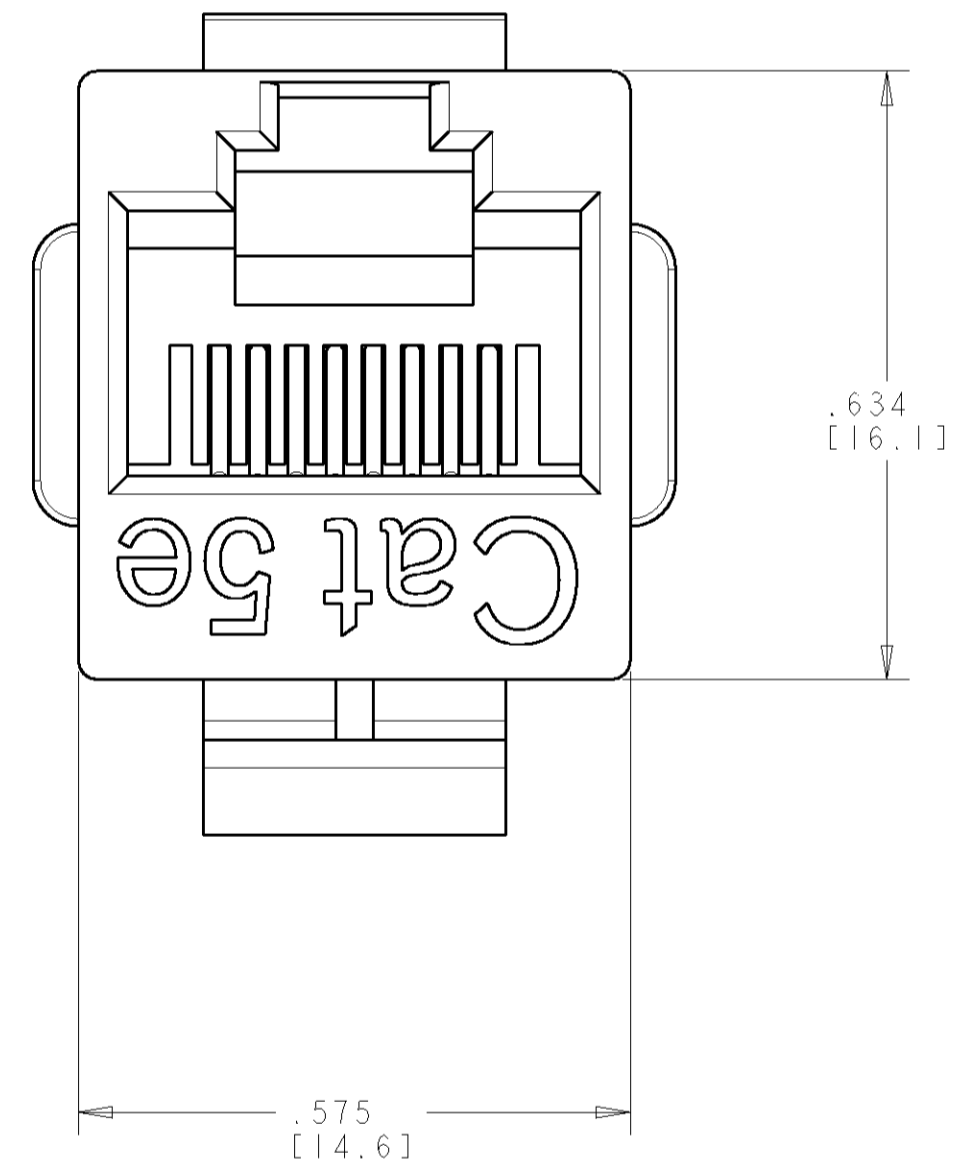
LOC		DIST		REVISIONS			
		P	LTR	DESCRIPTION	DATE	BY	APPD
		A		RLSD: ECR-04-000282	06JAN05	GG	SH
		B		ECR 05-005024	07JUL2005	JM	SH



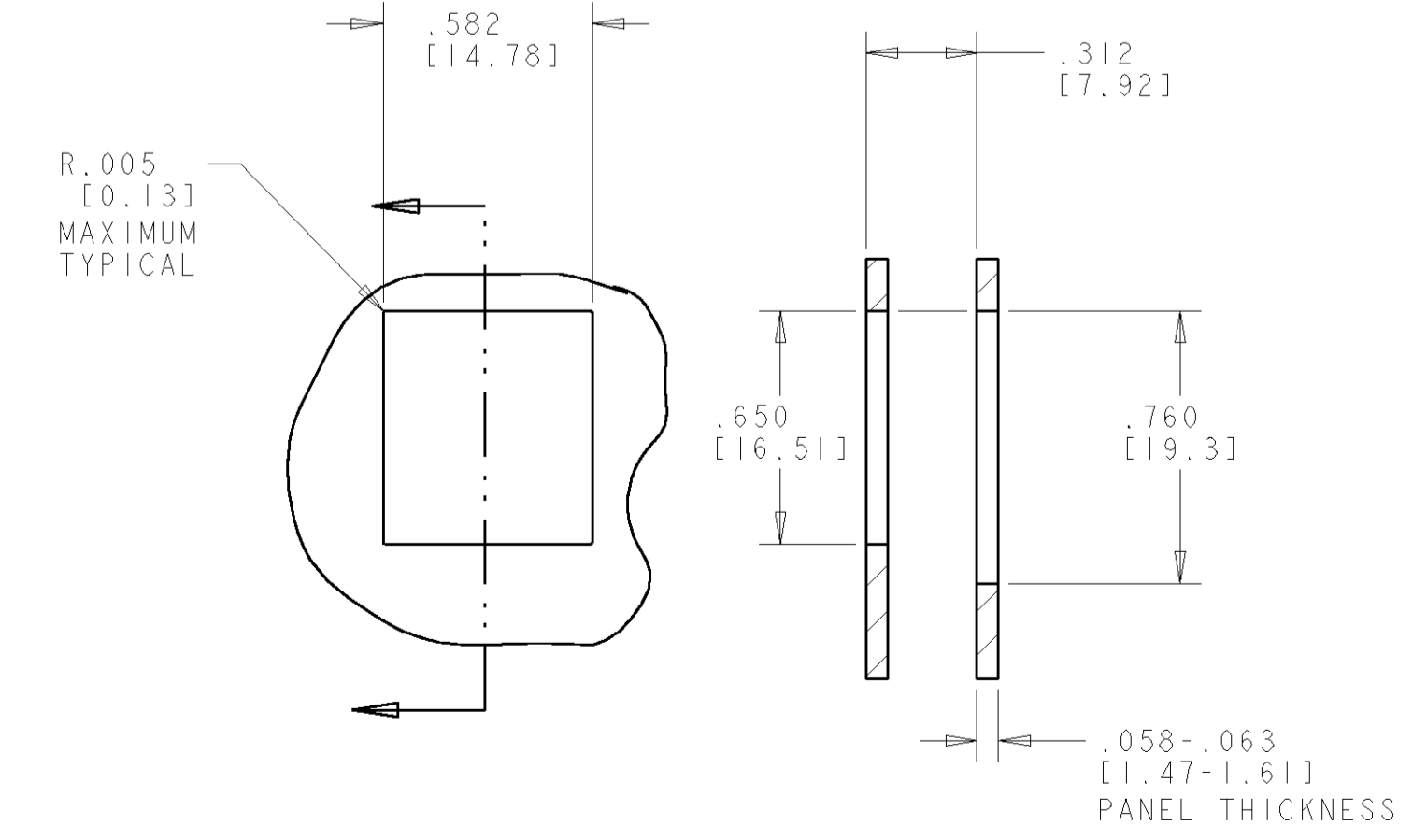
⚠ ALL DIMENSIONS SHOWN ARE NOMINAL UNLESS OTHERWISE SPECIFIED.

⚠ MATERIAL:  
 HOUSING - POLYPHENYLENE OXIDE, BLACK.  
 TERMINAL - .018[0.46] DIA PHOSPHOR BRONZE PLATED WITH .000050 [.00127] MINIMUM THICK GOLD OVER .000100 [.00254] MINIMUM THICK NICKEL.

3. MOUNTING PANEL THICKNESS .062 [1.57] NOMINAL.



SINGLE PANEL CUTOUT



SUGGESTED FLUSH MOUNT PANEL APPLICATION CUTOUT

1479289-2  
 PART NUMBER

<small>THIS DRAWING IS UNPUBLISHED. RELEASED FOR PUBLICATION. THE INFORMATION IS CONSIDERED UNCLASSIFIED UNLESS INDICATED OTHERWISE. THIS INFORMATION IS THE PROPERTY OF TYCO ELECTRONICS CORPORATION. IT IS TO BE KEPT UNCLASSIFIED UNLESS INDICATED OTHERWISE. THIS INFORMATION IS UNCLASSIFIED UNLESS INDICATED OTHERWISE. THIS INFORMATION IS UNCLASSIFIED UNLESS INDICATED OTHERWISE.</small>		DWN: G. GARRETT 06JAN05 ECR: S. HERNDON 06JAN05 APPD: S. HERNDON 06JAN05	<b>tyco</b> Electronics Tyco Electronics Harrisburg, PA 17105-3608
DIMENSIONS: INCHES (MM)		TOLERANCES UNLESS OTHERWISE SPECIFIED:	
		0 PLC ± 1 PLC ± 2 PLC ± 3 PLC ± 4 PLC ± ANGLES ±	
MATERIAL:		FINISH:	
CUSTOMER DRAWING		WEIGHT:	
SCALE: 2:1		SHEET 1 OF 1	
NAME: COUPLER, IN-LINE, CAT5E, BLACK, UNSHIELDED		RESTRICTED TO:	
SIZE: CAGE CODE: DRAWING NO:		REV B	
A100779C=1479289		REV B	